

ROUGH TERRAIN TELESCOPIC BOOMS



HT85 RTJ 0 HT85 RTJ PRO

Performance & Productivity

- Among the industry's best horizontal outreach of 78 ft. 3 in.
- Smooth and precise working envelope
- Outstanding terrainability

Safety & Comfort

- Haulotte Activ'Lighting System (PRO model) delivers superior safety when loading/unloading in conditions with low visibility
- Ultimate control & comfort is engineered to provide superior working-envelope efficiency
- Rugged, heavy-mast design

Maximized Total Cost of Ownership

- Haulotte Activ'Screen: on board color monitor & diagnostic system
- Haulotte Stop Emission System which regulates engine run time, reducing fuel consumption, pollution and noise
- Easy access to all components
- Modular basket quick and easy to repair

Haulotte 

www.haulotte-usa.com



HT85 RTJ O / RTJ PRO

ROUGH TERRAIN TELESCOPIC BOOMS

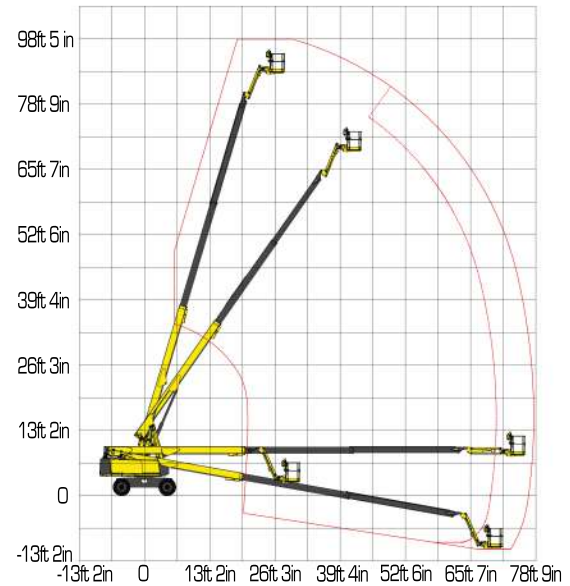


TECHNICAL DATA

HT85 RTJ O
4WD-2WS

HT85 RTJ PRO
4WD-4WS

Working height	91 ft
Platform height	85 ft
Horizontal outreach	78 ft 3 in
Below ground reach	9 ft 8 in
Lift capacity	500 lbs (2 persons)
F x G Platform size	8 ft x 3 ft
A Length	42 ft 1 in
H Length - storage	32 ft 2 in
B Overall width	8 ft 2 in
C Height - stowed	9 ft 4 in
I Height - storage	9 ft 9 in
Vertical jib rotation	133° (-66°/+67°)
Jib length	6 ft
Boom rotation angle	84.5° (+74.5°/-10°)
Turntable rotation	360° continuous
Tailswing	60 in
D Wheelbase	9 ft 2 in
E Ground clearance	19 in
Tilt alarm	4°
Drive speed	0,3 - 3,1 mph
Gradeability	45 %
Turning radius - outside	21 ft 6 in 14 ft 3 in
Tires	Solid RT cured on 1025x365 mm Kubota, 53kW (72hp), T4f
Engine	
Weight	39 500 lbs 39 900 lbs

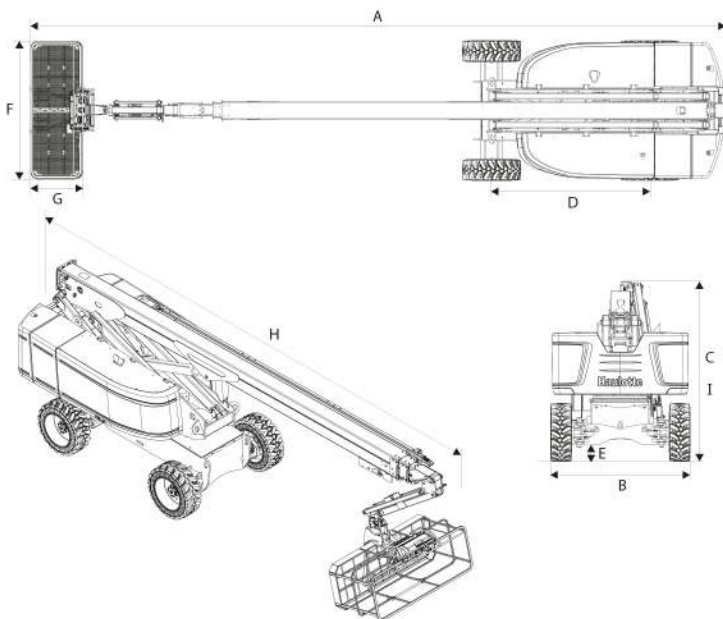


STANDARD EQUIPMENT

- Haulotte Activ'Lighting Safe Load System (Standard on PRO)
- Haulotte Stop Emission System
- Haulotte smooth proportional movements
- Haulotte Activ'Screen
- Haulotte Activ'Shield™ Bar 2.0 (Standard on PRO model)
- 4 wheel drive / 2 wheel steer (O) or 4 wheel steer (PRO)
- Automatic differential wheel lock
- Oscillating axle
- Large modular basket 8 ft. x 3 ft.
- Drop bar entry gate
- Lift capacity 500 lbs
- Basket rotation 180° (+90:-90)
- Upper control box protection cover and tool tray in ultra-solid composite
- Sound and light alarm for tilt and load
- Driving sound and rotating beacon light alarms
- Safe to use in winds up to 28 mph
- Rotating engine tray for easy maintenance
- Universal telematics plug

OPTIONS AND ACCESSORIES

- Dual load capacity 500-770 lbs (2 people)
- Haulotte Activ'Shield™ Bar 2.0 (O model)
- Lateral swing door entry gate
- Power to platform (Female plug 230V/110V)
- Hydraulic generator 3.5 kW, 6.5 kW or 12kW
- Air line to platform 1/2 in inner diameter
- Glazier pack - Welder pack
- Pipe cradle pack
- Activ'Lighting system Safe Load (O model)
- Motion flashing warning light
- Cold and Artic weather kits
- Hydraulic oil cooler
- Non-marking tires - Sand/Turf High Flotation tires (only on O model)
- Battery circuit breaker



4000514330 - Non contractual document - We reserve the right to modify the technical characteristics of this document without notice - 02/2017