

# TM12

## VERTICAL MAST LIFT



- Industry-leading self-propelled telescopic mast lift
- Versatile, robust and simple to use
- Drives through a standard doorway
- Compact & easy to manoeuvre
- Ideal for many applications – from construction to stockpicking!

 **snorkel**  
[www.snorkellifts.com](http://www.snorkellifts.com)

# VERTICAL MAST LIFT

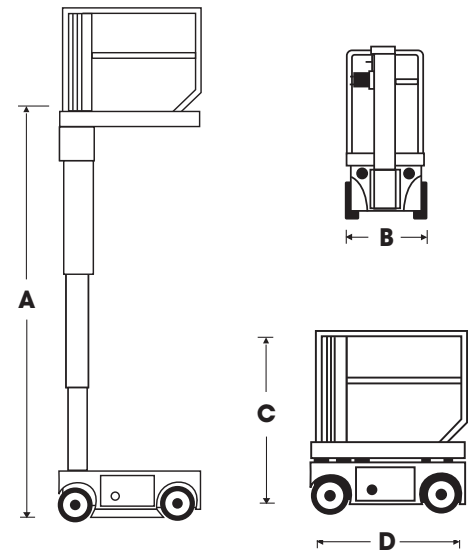
# TM12

DIMENSIONS	TM12
Max. working height	18 ft
Max. platform height (A)	12 ft
Platform size	29 in x 41 in
Overall width (B)	30 in
Overall length (D)	53.5 in
Stowed height (C)	64.7 in
Ground clearance	3 in

PERFORMANCE	
Platform capacity (SWL)	500 lbs
Max. drive height	12 ft
Max. drive speed (stowed)	2.27 mph
Max. drive speed (elevated)	0.62 mph
Raise/lower time	18/25 sec
Gradeability	25 %
Inside turning radius	14.4 in
Outside turning radius	58.5 in
Tires	12 in dia. solid rubber, non-marking
Parking brake	2 wheel, spring-applied, hydraulically-released with manual overdrive
Drive system	dual front hydraulic motors
Controls	proportional

POWER	
Power source	24V 4hp DC electric motor 4-220 Ah batteries
Battery charger	90V - 240V - 18 amp automatic

WEIGHT	
Weight	1,710 lbs



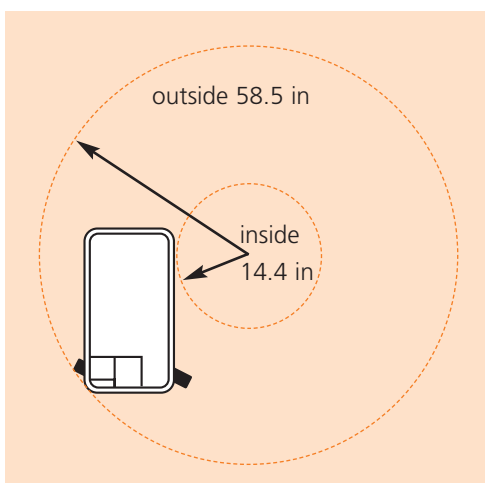
## STANDARD FEATURES

- Proportional controls
- Descent and tilt alarms
- High amp hour rating gives long usage between charges
- Emergency lowering at chassis controls
- Non-marking, solid rubber tires
- Power line to platform
- Forklift pockets
- Horn
- Tie down points
- 2 persons + equipment capacity indoors
- 1 person + equipment capacity outdoors
- Selectable motion alarm
- ANSI compliant

## OPTIONS

- Special paint colors
- Environmental green oil
- CSA compliant

## TURNING RADIUS



**snorkel** [www.snorkellifts.com](http://www.snorkellifts.com)

P.O. Box 1160  
 St. Joseph, MO 64502-1160, USA  
 Tel: 1 (785) 989-3000  
 Toll-free: 1 (800) 255-0317  
 Sales Fax: 1 (785) 989-3070  
 Parts Fax: 1 (785) 989-3077