

LED Light Towers


LED LIGHT TOWER
AL[™]4L

Features

- | | |
|--|--|
| <ul style="list-style-type: none"> • Up to 40 percent fuel savings compared to 6 kw metal halide light tower. | <ul style="list-style-type: none"> • 6 kW generator. |
| <ul style="list-style-type: none"> • Convenient plug-in option provides quiet, emission free operation. | <ul style="list-style-type: none"> • 30 ft (9.14 m) light height at full extension for excellent illumination at long distances. |
| <ul style="list-style-type: none"> • One GFI duplex 20A/120V and One T/L 30A/240V receptical. | <ul style="list-style-type: none"> • 359 degree non-continuous tower rotation to provide pin-point light positioning at your work site. |
| <ul style="list-style-type: none"> • LED lights have 50,000 hour bulb life. | <ul style="list-style-type: none"> • LED lights reduce glare. |
| <ul style="list-style-type: none"> • LED lights are tool-free adjustable and heat resistant. | <ul style="list-style-type: none"> • Centerpoint lifting bracket and fork lift pockets make transport easy. |
| <ul style="list-style-type: none"> • LED technology offers instant on/off operation. | <ul style="list-style-type: none"> • Cabinet is protected with a durable, fade resistant finish. |

LED Light Towers

AL™4L – 6kW GENERATOR

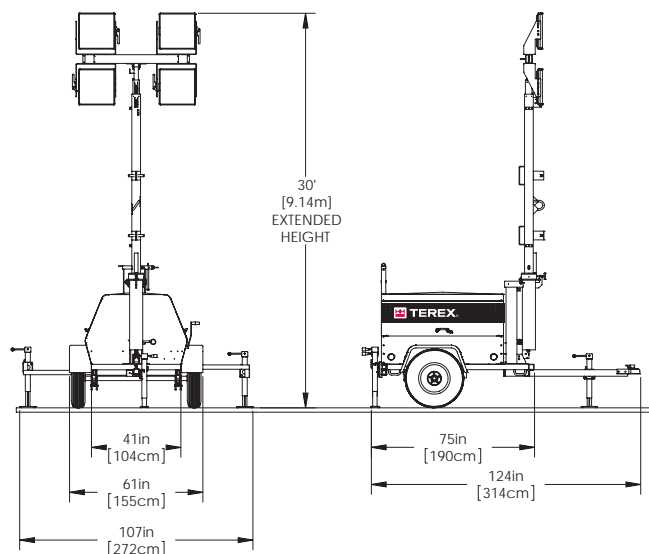
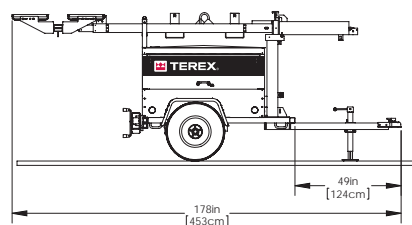
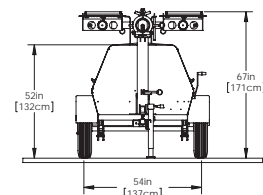
Specifications

Lamps	LED 4 x 270 W
Generator	Brushless 60 Hz, 8.0 kW
Engine	Kubota diesel 13.6 hp
Receptacles	One GFI duplex 20 A / 120 V One T/L 30 A / 240 V
Fuel capacity	30 gal (114 L)
Wheel size	15 in (38 cm)
Axle rating	3,500 lbs (1,588 kg)
Tongue weight travel position	147 lbs (67 kg)
Total weight no fuel	1,950 lbs (885 kg)

Options and Accessories

12 volt dome light with switch
3/8" highway safety chains with snaphook
50 gal fuel capacity
700 CCA battery
Battery heater blanket
Block heater
Combination ring/ball hitch
DOT tail light package (6 or 7 pole)
Electric trailer brakes
Fuel/water separator filter
Fuel/water separator with fuel line heater
Hydraulic surge brakes (ring or ball hitch)
Kubota diesel water-cooled, 13.6 hp/6.0 kW generator unit
Low temperature coolant mixture (-40 deg F)
One 30A/240V TL receptacle
One 20A/120V GFI duplex receptacle
Ring hitch 2.5"
Spare tire and wheel

Dimensions



Terex Aerial Work Platforms

18340 NE 76th Street
PO Box 97030
Redmond, WA 98073-9730

TEL +1 (425) 881-1800
TOLL FREE +1 (800) 536-1800
PARTS & TECH SUPPORT +1 (800) 228-6444
FAX +1 (425) 883-3475
WEB www.genielift.com

For more information, product demonstration, or details on purchase, lease and rental plans, please contact your local Terex AWP distributor.