

SJ6940 RT

ROUGH TERRAIN SCISSORS



STANDARD FEATURES

- Kubota D1105 Tier 4F diesel engine
- 4WD with front oscillating axle
- Intelligent adaptive drive system
- Drivable at full height with roll out deck fully extended
- Proportional controls for drive & lift functions
- SKYCODED™ Color coded and numbered wiring system
- On-board visual interface with diagnostic capabilities
- Shroud style, impact resistant composite control box with extended cable
- 3.5' (1.07 m) Roll out extension deck
- Lift up side doors for easy access
- 90° Swing out engine tray
- 110V AC Outlet on platform with GFI
- 35% Gradeability
- Foam-filled low profile grip lug tires
- Fold down hinged railing system
- Full height spring hinged entry gate
- Tilt alarm with drive & lift cut-out (3.0° x 2.5°)
- All motion audible alarm
- Lanyard attachment points
- Operator horn
- Side forklift pockets and tie down / lift lugs
- Emergency lowering system
- Overload sensing system
- Telematics ready
- 2-Year Gold Leaf Warranty (5-year structural warranty)

OPTIONS

- Kubota WG972 dual fuel engine
- Auto leveling outriggers
- Flashing light
- White noise alarm
- Coiled control box cable
- 3.5 kW generator
- Cold weather start package
(Recommended for regions where average monthly low temperatures can reach 14°F / -10°C. Includes hydraulic oil tank heater, battery blanket, coolant or block heater)
- Positive air shut-off valve
- Bio oil
- Foam Filled Non-Marking Tires
- Foam Filled Turf Tires
- Non-destructive testing
- ELEVATE telematics (1-year, 3-year or 5-year plans available)
- Warranty options (3-year or 5-year plans available)

ACCESSORYZERS™

- Tool caddy
- Heavy duty pipe rack
- Board Carrier
- Secondary Guarding Lift Enable (SGLE)

Preliminary specifications at time of printing.

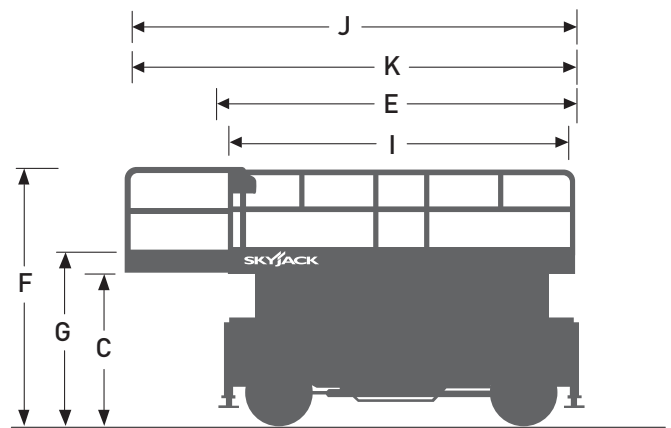
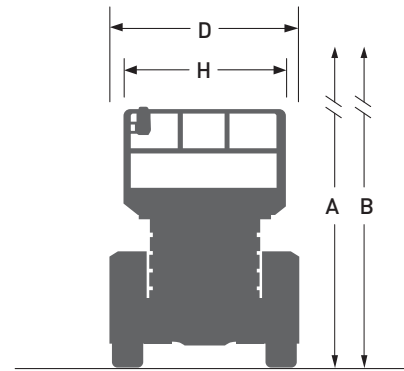
† Standard lead times may be increased when optional equipment is added, consult factory.

‡ Capacities and machine weights may differ when options are added.

SJ6940 RT ROUGH TERRAIN SCISSORS

Dimensions	SJ6940 RT
A Work Height	46' (14.02 m)
B Raised Platform Height	40' (12.19 m)
C Lowered Platform Height	60" (1.52 m)
D Overall Width	70.5" (1.8 m)
E Overall Length	143" (3.63 m)
F Stowed Height (Rails Up)	108" (2.74 m)
G Stowed Height (Rails Down)	75" (1.91 m)
H Platform Width (Inside Dimension)	56.5" (1.44 m)
I Platform Length (Inside Dimension)	133" (3.38 m)
J Platform Length (Single deck Extended)	231" (5.87 m)
K Platform Length (Dual deck Extended)	284" (7.21 m)

Specifications	SJ6940 RT
Extension Deck (Roll Out)	3.5' (1.07 m)
Ground Clearance	8" (20 cm)
Wheelbase	85" (2.16 m)
Weight	11,320 lbs (5,135 kg)
Gradeability	35%
Turning Radius (Inside)	80" (2.03 m)
Turning Radius (Outside)	185" (4.7 m)
Lift Time (With Rated Load)	60 sec
Lower time (With Rated Load)	37 sec
Drive Speed (Stowed)	3.5 mph (5.6 km/h)
Drive Speed (Raised)	0.3 mph (0.5 km/h)
Maximum Drive Height	Full Height
Capacity (Overall)	800 lbs (363 kg)
Distributed Capacity (Main Platform)	500 lbs (227 kg)
Distributed Capacity (Extension Deck)	300 lbs (136 kg)
Local Floor Load (With Rated Load)	TBD
Overall Floor Load (With Rated Load)	TBD
Maximum # of persons at 0 mph (0 m/s) wind rating	3
Maximum # of persons up to 28 mph (12.5 m/s) wind rating	2
Hydraulic Reservoir	18 gal (68 L)
Diesel Engine	24.8 HP Kubota
Fuel Tank Capacity	23 gal (87 L)
Outrigger Leveling (Front to Back / Side to Side)	5° / 8°
Tire Type	Foam Filled
Tire Size	26 x 12



Skyjack Head Office

55 Campbell Rd. Guelph, ON Canada N1H 1B9
 Sales Inquiries: 1-877-755-4387 (1-877-SJLIFTS)
 Main Switchboard: 1-800-265-2738
 Phone: 519-837-0888
 Fax: 519-837-8104
 Email: skyjack@skyjack.com

www.skyjack.com

